

Hinge automatically opens and closes doors

A new hinge made of high-performance polyamide with a spring-loaded return function has been added to Ganter's extensive line of hinges.

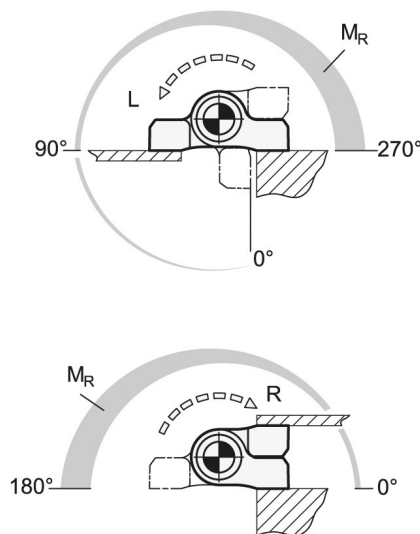
As a one-stop shop, Ganter maintains a comprehensive portfolio in the product group "Hinging and latching of doors and covers" for every possible option with hinges of all designs, an extensive range of locks, and a host of accessories and edge protection seal profiles.

Ganter now offers the GN 233.3, a new functional hinge made of plastic. The return function automatically restores the hinge and attached cover or door to the initial position once it is released. The hinge is therefore ideally suitable for automatically opening and closing doors or keeping them closed.

In addition to the restoring torque, the functional hinge can also withstand great mechanical stress since it is made of a particularly durable high-performance polyamide, and therefore boasts of particularly high mechanical strength. The aluminum rotating sleeve and Stainless Steel torsion spring offer maximum wear and corrosion resistance. In tests, the ingenious design leaves the restoring torque unchanged over 100,000 actuation cycles.

Ganter, your Black Forest specialist for standard parts, offers numerous designs for the new functional hinge as usual: The hinge can be easily configured and ordered to meet individual needs, be they left or right return, high or low spring restoring torque, or for supplemental hinges without a return spring. In line with normal policy, Ganter maintains a specific solution for every use.

You can find more information online at www.ganter-griff.com.



Contact

Axel Weber

Direct line

+ 49 (0) 7723 6507-226

Email

axel.weber@ganter-griff.de

Otto Ganter GmbH & Co. KG

Normteilefabrik

Triberger Straße 3

78120 Furtwangen

Phone +49 (0) 7723 6507-0

Fax +49 (0) 7723 4659

www.ganter-griff.com