



Technical and assembly instructions

By turning the lock clockwise by 90° first, the latch is moved into the closing position.

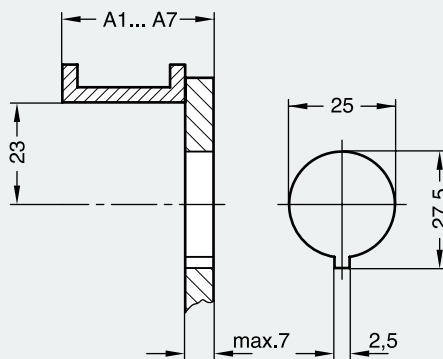
By continuing the turning motion, the latch is advanced along on its threaded spindle pulling the door firmly to its frame.

When turning the key anticlockwise the latch first retracts back before rotating to release the door.

The sketch on the right shows the hole required through which the lock is installed.

The mechanism is inserted through the hole from the front and the hexagon nut can be fitted from the back.

Installation is only possible if the latch is in the end position of its axial stroke and approximately halfway through its total rotational movement.



Mounting hole

2.5