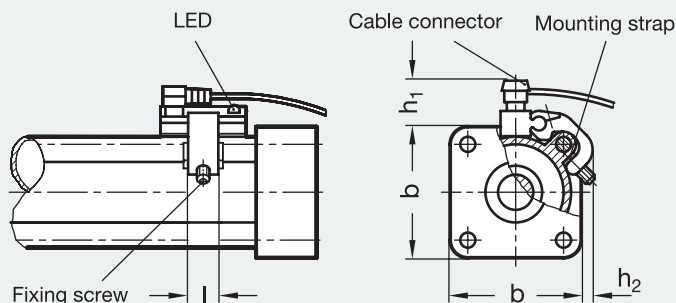
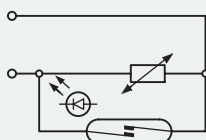


### Mounting GN 896.1 / GN 896.2

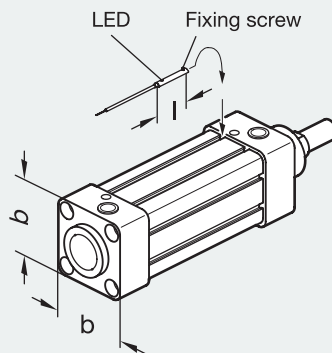


### Circuitry



### Mounting GN 896.3

Insert the thinner part of proximity switch into the provided slot. Then turn by 90° and fix inside the slot by means of the fixing screw.



Pneumatic clamp	Proximity switch Type	b	h <sub>1</sub> ≈	h <sub>2</sub> ≈	l
GN 860-200-AP3-M	GN 896.2	44	24	10	14
GN 860-200-EP3-M	GN 896.2	44	24	10	14
GN 860-300-AP3-M	GN 896.2	50	27	11	14
GN 860-300-EP3-M	GN 896.2	50	27	11	14
GN 860-400-AP3-M	GN 896.1	62	25	9	14
GN 860-400-EP3-M	GN 896.1	62	25	9	14
GN 861-1000-EP-M	GN 896.3	65	—	—	35
GN 861-2000-EP-M	GN 896.3	75	—	—	35
GN 862-200-APV3-M	GN 896.2	44	25	10	14
GN 862-200-EPV3-M	GN 896.2	44	25	10	14
GN 862-300-APV3-M	GN 896.2	50	26	11	14
GN 862-300-EPV3-M	GN 896.2	50	26	11	14
GN 863-1000-EPV-M	GN 896.3	65	—	—	35
GN 863-2000-EPV-M	GN 896.3	75	—	—	35
GN 890-360-SP3-M	GN 896.2	44	28	13	14
GN 890-1100-SP3-M	GN 896.2	50	27	11	14
GN 890-2100-SP3-M	GN 896.1	62	23	10	14

### Specification

Voltage range:  
Current on contact:  
Switch capacity (ind.):  
Voltage drop LED:  
Temp. range:  
Slew rate:  
Life expectancy:  
Protection classification:

### GN 896.1

3 ÷ 110 V AC/DC  
0,3 A  
10 VA  
3 V  
-20° C ÷ +85° C  
0,6 ms  
10<sup>7</sup> operations  
IP 67

### GN 896.2

3 ÷ 110 V AC/DC  
0,3 A  
10 VA  
3 V  
-20° C ÷ +85° C  
0,6 ms  
10<sup>7</sup> operations  
IP 67

### GN 896.3

3 ÷ 110 V AC/DC  
0,2 A  
6 VA  
3 V  
-20° C ÷ +85° C  
0,5 ms  
10<sup>7</sup> operations  
IP 67

### How to order

**Proximity switch with mounting bracket GN 896.1**

Code No. |

Electric cable: 2 wires

If used on DC brown wire to be connected to + for the diode to work.

### Information

With proximity switches GN 896.1 to GN 896.3 the pneumatically operated clamps can emit control signals. To do this, the clamps must be fitted with a special cylinder with magnetic piston (type M) which will cause the electric contacts in the REED switch to close. The proximity switches and respectively the proximity switches with their mounting brackets can be set anywhere along the full stroke length of the cylinder.