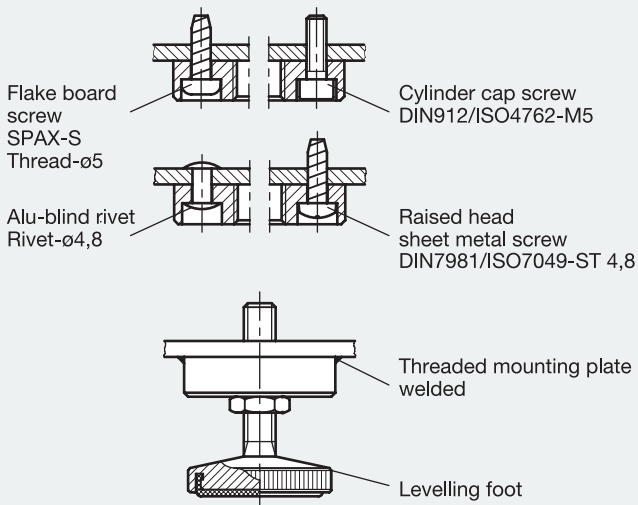


Installation example
Mounting possibilities



d ₁	d ₂			d ₃	d ₄	h	k	t
36	M 8	M 10	M 12	5,3	10	10	24	5,3

Specification

Steel
weldable
blackened

Information

Threaded mounting plates GN 349 are used on levelling feet particularly in such cases where a machine shrouding is made of very thin sheet metal.

How to order

**Threaded mounting plate
GN 349-36-M10**

Code No. | | |
d₁ d₂

2.5